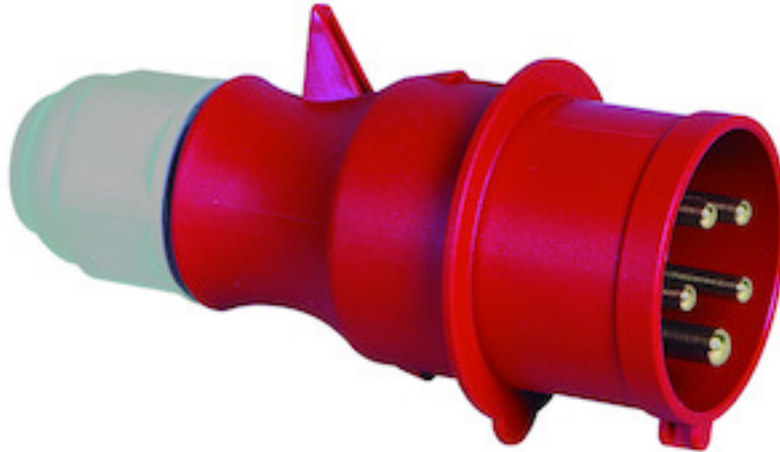


plug - with screw terminals one piece



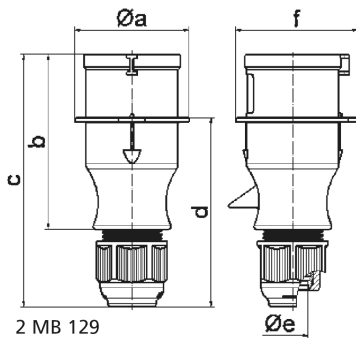
Product description	
BALS-Prd.-Nr	203-TLS
EAN	4024941192286
product category (PG)	TLS plug cable glan
current (A)	16A
number of poles (P99)	5p
number of poles (P)	3p+N+PE
position of earth contact (H)	6 h
voltage (V)	200/346 up to 240/415V
frequency (HZ)	50 and 60Hz

Product description	
protection degree (SA)	IP44
colour code 1 (KF1)	red RAL 3000
Colour of appliance	Enclosure red RAL 3000, Cable gland grey RAL 7035
connection design (AT)	with screw terminal
maximum conductor size (LQ)	2,5 qmm
cable entry (KE)	Cable gland
Height	146mm
Width	66mm
Depth	75mm
material of enclosure (GM)	PA6
contact	PA6, brass

Additional technical information	
	one piece housing, Multi-Grip cable gland with g, for cable diameter from 8 up t

Logistics data	
Weight/pcs	0.162 kg / Piece
Packaging	Carton
Content amount	10 ST
EAN	4024941828161
Length	275 mm

Logistics data	
Width	175 mm
Height	137 mm
Weight	1.745 kg
Volume	5,737.5 ccm



Ampere	16	16	16	32	32	32
Polzahl	3	4	5	3	4	5
a ø	54,0	60,0	66,0	71,0	71,0	80,0
b	94,5	98,0	101,0	115,0	115,0	119,0
c	138,0	142,0	145,0	170,0	170,0	174,0
d	101,5	105,5	108,5	124,0	124,0	128,0
e ø	18,0	18,0	18,0	23,0	23,0	23,0
f	56,6	64,0	71,0	76,0	76,0	85,0
Leiter mm ² min	1	1	1	2,5	2,5	2,5
Leiter mm ² max	2,5	2,5	2,5	6	6	6